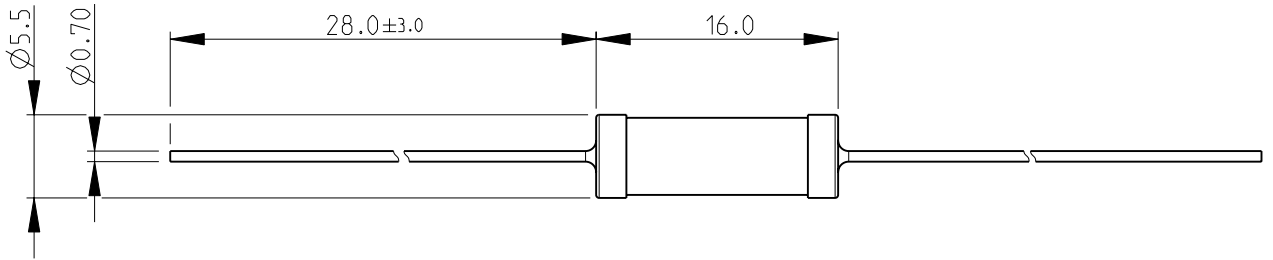
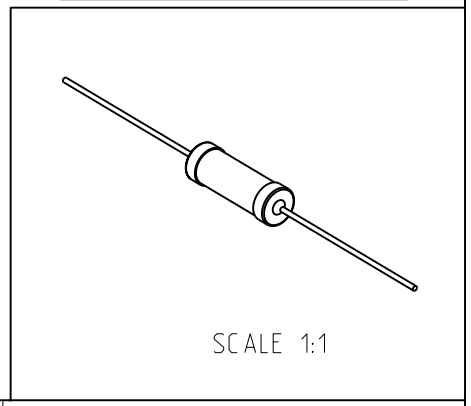


LOC	DIST	REVISIONS			
P	LTR	DESCRIPTION	DATE	DWN	APVD
E	B	BA1	REVISED PER ECO-11-005150	29MAR2011	RK HMR

FOR FURTHER INFORMATION SEE DATA SHEET FOR  
CFR SERIES-CARBON FILM FIXED RESISTORS



RoHS Compliant



2008  
 RELEASED FOR PUBLICATION  
 ALL RIGHTS RESERVED.  
 BY -  
 THIS DRAWING IS UNPUBLISHED.  
 COPYRIGHT 2008

DIMENSIONS: mm  TOLERANCES UNLESS OTHERWISE SPECIFIED: 0 PLC $\pm 0.2$ 1 PLC $\pm 0.1$ 2 PLC $\pm -$ 3 PLC $\pm -$ 4 PLC $\pm -$ ANGLES $\pm 5^\circ$	DWN SUBHASH.M 20-Sep-08	MATERIAL -	FINISH -
	CHK PRAKASH.S 20-Sep-08	TE Connectivity	
APVD STEPHEN.P 20-Sep-08	NAME CARBON FILM FIXED RESISTORS SERIES CFR200		
PRODUCT SPEC -	SIZE A 4	CAGE CODE 00779	DRAWING NO C- 1623929
APPLICATION SPEC -	RESTRICTED TO -	CUSTOMER DRAWING	
WEIGHT -	SCALE 2:1	SHEET 1	OF 1 REV BA1